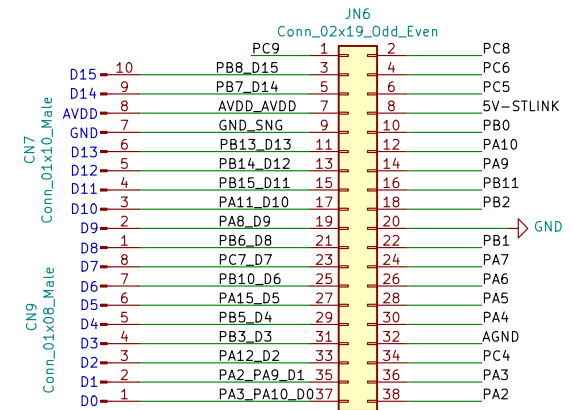
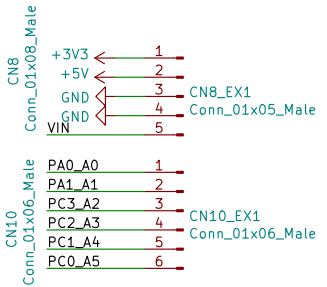
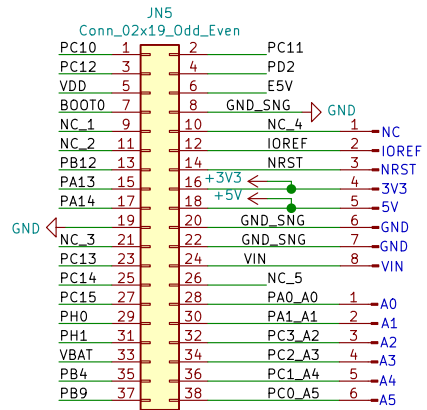


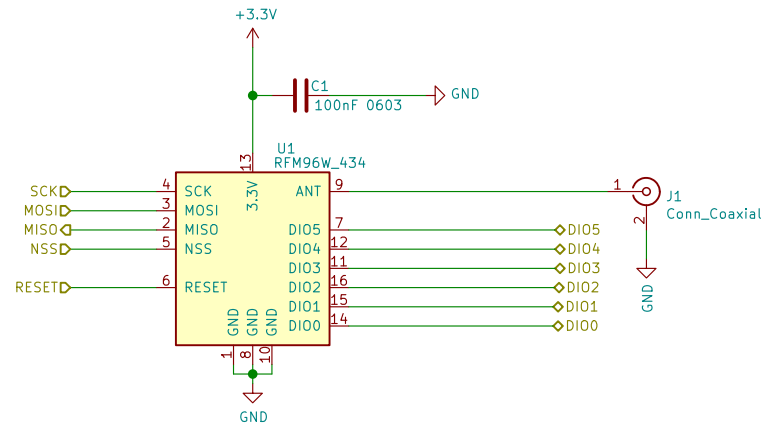
Sheet: /		
File: imt_rfm_v0.sch		
Title:		
Size: A4	Date:	Rev:
KiCad E.D.A. kicad 5.0.2-bee76a070ubuntu18.10.1		Id: 1/4

- SCK_OUT ◊ PB13_D13
- MOSI_OUT ◊ PB15_D11
- MISO_IND ◊ PB14_D12
- NSS_OUT ◊ PA11_D10
- RESET_OUT ◊ PA8_D9
- DIO0_BD ◊ PB6_D8
- DIO1_BD ◊ PC7_D7
- DIO2_BD ◊ PB10_D6
- DIO3_BD ◊ PA15_D5
- DIO4_BD ◊ PB5_D4
- DIO5_BD ◊ PA12_D2
- RX_LED ◊ PA2_PA9_D1
- TX_LED ◊ PA3_PA10_D0
- BUTON ◊ PB8_D15



Sheet: /Sheet5C99BA8E/
File: nucleo_64_p_pinout.sch

Title:	
Size: A4	Date:
KiCad E.D.A. kicad 5.0.2-bee76a070ubuntu18.10.1	
Rev: Id: 2/4	

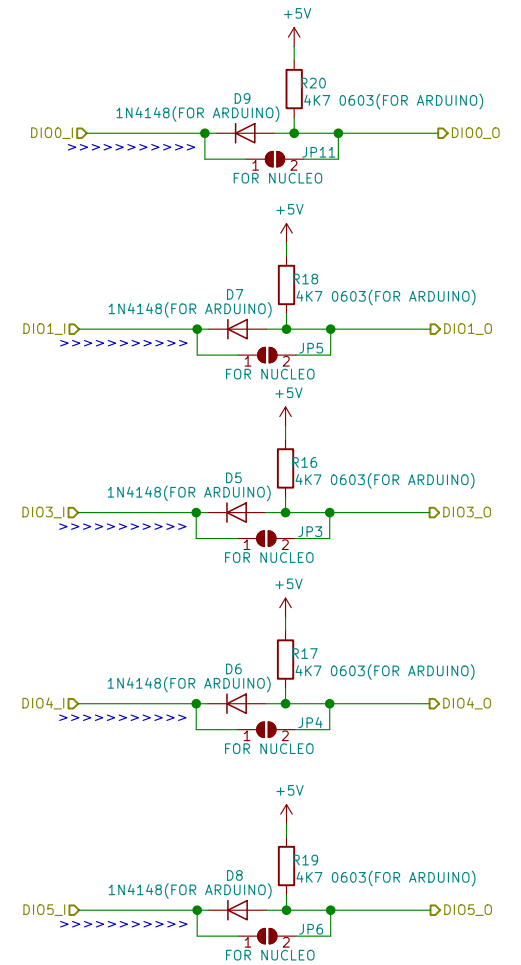
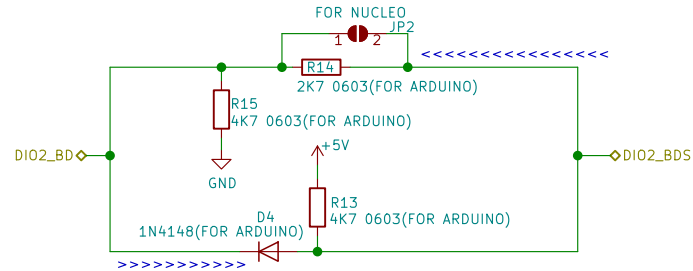
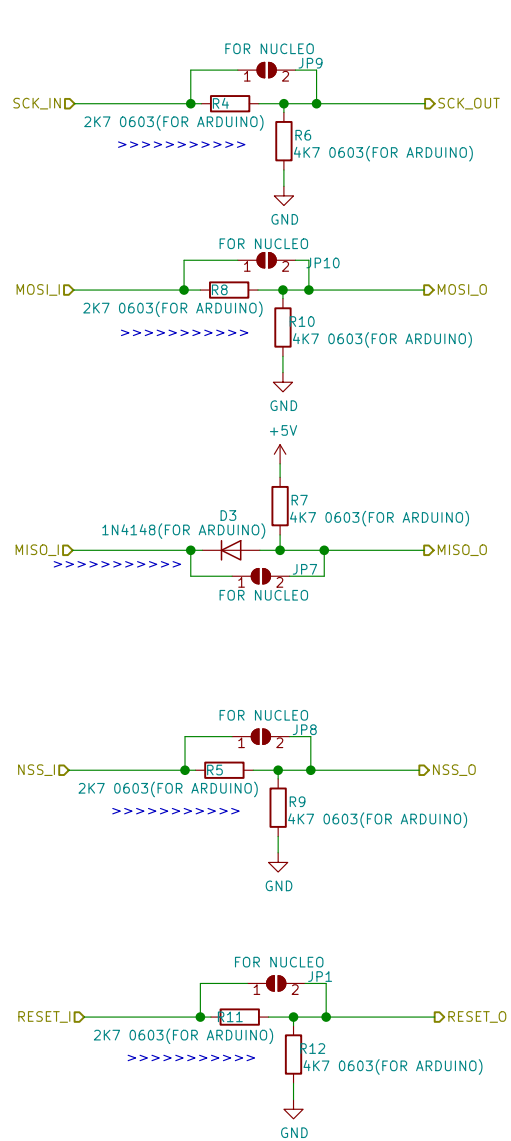


Sheet: /Sheet5C9A25D9/
File: RF.sch

Title:

Size: A4 Date:
KiCad E.D.A. kicad 5.0.2-[bee76a070ubuntu18.10.1](https://github.com/bee76a070ubuntu18.10.1)

Rev:
Id: 3/4



Sheet: /Sheet5C9E8221/
File: level_shifter.sch

Title:

Size: A4 Date: KICAD E.D.A. kicad 5.0.2-bee76a070ubuntu18.10.1

Rev: Id: 4/4